

09-28-00

A

Patent Application Transmittal

(only for new nonprovisional applications under 37 C.F.R. 1.53(b))

Correspondence Address:
FROMMER LAWRENCE & HAUG LLP
745 FIFTH AVENUE
NEW YORK, NEW YORK 10151
TEL: (212) 588-0800
FAX: (212) 588-0500

Date: September 27, 2000
Attorney Docket No.: 450100-02733

542 U.S. PTO
09/672154
09/27/00

ASSISTANT COMMISSIONER FOR PATENTS
Box Patent Application
Washington, D.C. 20231

Sir:

With reference to the filing in the United States Patent and Trademark Office of an application for patent in the name(s) of:

Masahiko SATO

entitled:

BROADCAST PROGRAM RETRIEVAL APPARATUS

The following are enclosed:

- Specification (11 pages)
- 2 Sheet(s) of Drawings
- 6 Claim(s) (including 1 independent claim(s))
- This application contains a multiple dependent claim

Our check for \$ 730.00, calculated on the basis of the claims as amended by any enclosed preliminary amendment as follows:

Basic Fee, \$690.00 (\$345.00)	\$ 690.00
Number of Claims in excess of 20 at \$18.00 (\$9.00) each:	-0-
Number of Independent Claims in excess of 3 at \$78.00 (\$39.00) each:	-0-
Multiple Dependent Claim Fee at \$260.00 (\$130.00)	-0-
Total Filing Fee	\$ 690.00
<input checked="" type="checkbox"/> Assignment Recording Fee \$40.00	\$ 40.00

Oath or Declaration and Power of Attorney
 New signed unsigned
 Copy from a prior application (37 C.F.R. 1.63(d))

Certified copy of each of the following application(s) to substantiate the claim(s) for priority made in the Declaration:

<u>Application No.</u>	<u>Filed</u>	<u>In</u>
11-274322	28 September 1999	Japan

Please charge any additional fees required for the filing of this application or credit any overpayment to Deposit Account No. 50-0320.

Respectfully submitted,

FROMMER LAWRENCE & HAUG LLP
Attorneys for Applicant

By: William S. Frommer
William S. Frommer
Reg. No. 25,506

09/27/00
JC612 U.S. PTO

09272154 092700

PATENT
450100-02733

IN THE UNITED STATES PATENT AND TRADEMARK OFFICE

APPLICATION FOR LETTERS PATENT

TITLE: BROADCAST PROGRAM RETRIEVAL APPARATUS
INVENTOR: Masahiko SATO

William S. Frommer
Registration No. 25,506
FROMMER LAWRENCE & HAUG LLP
745 Fifth Avenue
New York, New York 10151
Tel. (212) 588-0800

00250"4512350

Σ 80 \$ 1145

BROADCAST PROGRAM RETRIEVAL APPARATUS

BACKGROUND OF THE INVENTION

1. Field of the Invention

The present invention relates to broadcast program retrieval apparatuses, and more particularly relates to a broadcast program retrieval apparatus in which large amounts of broadcast program information is searched by an exclusive server, thereby reducing the amount of data on broadcast programs to be selected.

2. Description of the Related Art

Digital satellite broadcasting provides programs through an extremely large number of channels, unlike the case of analog broadcasting by broadcasting satellites (BSs). In the case of digital satellite broadcasting, the number of channels is very large, and a single channel provides many programs. Taken all together, the number of programs broadcast is very large. A viewer is thus required to have special skills in order to appropriately select a desired broadcast program from among such a huge number of broadcast programs, and it is often difficult for the viewer to retrieve a desired broadcast program.

Electronic program guide (hereinafter referred to as "EPG") data, that is, broadcast program information, is transmitted independent of information for the actually

00260"4512260

broadcast program. Based on the EPG data, the viewer can select a desired broadcast program.

For example, the EPG data displays channel numbers on the vertical axis, and time slots and program titles on the horizontal axis. The viewer can find out program information by positioning a cursor on a desired program cell using a remote control.

When the viewer sequentially selects program cells to select program information on many programs one after another, a long period of time is required to reach a desired program. In practice, it is therefore difficult to appropriately select the desired program.

In order to select the appropriate program, the EPG data is searched for the appropriate program using a keyword. In general, retrieval using a keyword, and particularly ambiguous retrieval, demands a large database and fast processing. In consideration of the expense, it is substantially impossible for an individual to perform such retrieval.

Therefore, the viewer is connected to a broadcast program retriever via communication lines such as telephone lines. The viewer gives a keyword for retrieving a desired broadcast program to the broadcast program retriever. The broadcast program retriever searches for the desired program and provides the viewer with information on the retrieval

002250"45732350

results.

When the viewer receives the entirety of the information on the retrieval results via the telephone lines and the like, detailed information on the broadcast program is generally transmitted, thus requiring a long communication period, which is expensive.

SUMMARY OF THE INVENTION

Accordingly, it is an object of the present invention to reduce the amount of data to an appropriate amount when a desired broadcast program is selected from extensive broadcast program information.

To this end, a broadcast program retrieval apparatus of the present invention includes a data server having a database for storing broadcast program information. The data server has a function for searching the broadcast program information stored in the database. A user server stores the same information as the broadcast program information stored in the data server. The user server has a function for selecting a desired broadcast program from the stored broadcast program information. The user server searches the broadcast program information stored in the data server using a content keyword. The desired broadcast program is selected from among broadcast programs based on program retrieval identification codes which are retrieved

002250-4572950

and extracted by the content keyword.

The data server and the user server may be connected via communication lines. The content keyword may be an element of content forming each broadcast program. Each program retrieval identification code may be included in an event identification region of an event information table appended to each broadcast program. The user server may only receive the program retrieval identification codes extracted by the data server, and may select the desired broadcast program based on the received program retrieval identification codes. The broadcast program information may be EPG information.

According to a broadcast program retrieval apparatus of the present invention, a content keyword for program retrieval from broadcast program information is supplied to a data server side. Of the retrieval results obtained by retrieving from a predetermined database in the data server, only program retrieval identification codes are transferred to a user server. The user server selects the broadcast program based on the program retrieval identification codes. Detailed data on the broadcast programs is not transferred from the data server to the user server side. Hence, the program can be retrieved without excessively increasing the amount of data to be communicated.

002250"4572250

BRIEF DESCRIPTION OF THE DRAWINGS

Fig. 1 is an illustration of a broadcast program retrieval apparatus according to an embodiment of the present invention; and

Fig. 2 is a block diagram of a transmitter of a broadcast station shown in Fig. 1; and

Fig. 3 is a format diagram of a format for creating EPG data by the transmitter shown in Fig. 2.

DESCRIPTION OF THE PREFERRED EMBODIMENT

The present invention will be understood from the following description of a broadcast program retrieval apparatus, according to an embodiment, taken in conjunction with the accompanying drawings. Fig. 1 shows the broadcast program retrieval apparatus of the embodiment.

Referring to Fig. 1, a broadcast station 10 transmits a broadcast program BP from a transmitter 11 through a transmitting antenna 12 to a digital satellite 13. The digital satellite 13 relays the broadcast program BP and transmits the broadcast program BP over digital waves to a predetermined area.

Referring now to Fig. 2, when the transmitter 11 of the broadcast station 10 transmits the broadcast program BP, a program generator 11A generates program data including audio data and video data to be broadcast, and outputs the program

00250"45722500

data to a system processor 11B.

The system processor 11B provides an encoder 11C with the program data supplied from the program generator 11A, which is to be encoded by the encoder 11C. The system processor 11B generates a reference clock and time information and supplies the generated information to a multiplexer 11D and an EPG processor 11E.

Subsequently, the encoder 11C encodes the program data supplied from the program generator 11A through the system processor 11B using, for example, a Moving Picture Experts Group (MPEG) system, and outputs the encoded program data to the multiplexer 11D.

In contrast, an EPG data provider 11F generates EPG data on programs which are scheduled to be broadcast for two weeks, and supplies the EPG data to the EPG processor 11E. The EPG data is generated in a format described hereinafter.

The EPG processor 11E processes the EPG data in accordance with the reference clock and the time information, and outputs the processed EPG data to the multiplexer 11D. The multiplexer 11D forms the program data supplied from the encoder 11C and the EPG data supplied from the EPG processor 11E into packets and synthesizes a transport stream. The transport stream is transmitted as the broadcast program BP to the digital satellite 13.

The EPG data is created using a format as shown in Fig.

00250"4572250

3. The format is specified by an event information section, that is, an event information table, specified by Digital Video Broadcasting (DVB).

As shown in Fig. 3, each syntax is described in a predetermined language form. The number of bits and an identifier to be allocated to each syntax are specified.

For example, syntax (1) includes an event id EID (event_id) 1 which is a program retrieval identification code included in an event identification region. Syntax (2) includes a broadcast starting time (start_time). Syntax (3) includes a broadcast duration (duration). Other EPG data is included in other syntax. The number of bits and an identifier which can be described by each syntax are specified. Syntax (4) includes a descriptor portion (descriptors_loop_length) in which a title, a genre, and other necessary detailed descriptions can be entered.

In the EPG data created in this format, for example, a different event ID EID is given to a rebroadcast program which has the same content as the original program. In other words, a program which has the same title as another program and which is broadcast in a different time slot is given a different event ID EID. By specifying a program by the event ID EID, the program is conveniently retrieved.

Accordingly, the broadcast program BP is broadcast by the digital satellite 13. A receiver 16 in a user server 14

receives the broadcast program BP through a receiving antenna 15. Simultaneously, a receiver 19 in a data server 17, that is, a broadcast program retriever, receives the broadcast program BP through a receiving antenna 18. The EPG data is downloaded to predetermined storage media of the receivers 16 and 19, respectively.

At the receiver 16 side, in response to a command from a remote control of the user server 14 issued by a viewer, a processor controls a tuner so that the tuner receives a signal from a predetermined transponder of the digital satellite 13. The received signal is demodulated into a demodulated signal, and the demodulated signal is output to a demultiplexer.

The demultiplexer extracts audio data, video data, and EPG data from the demodulated signal. The audio data is packet-decoded by an audio decoder, and the video data is packet-decoded by a video decoder. The audio data and the video data undergo necessary processing and are then played and displayed by a monitor.

In contrast, under the control of the processor, the EPG data is supplied from the demultiplexer and is stored in an EPG data memory. In response to a selection command from the remote control of the user server 14 issued by the viewer for selecting broadcast program information BPI, the EPG data stored in the EPG data memory is read.

002260 4544 092700

Subsequently, the EPG data undergoes necessary processing, is converted into image data, and is displayed as an EPG image on the monitor.

Accordingly, the viewer who uses the user server 14 can obtain the displayed EPG data. It is difficult for the viewer to directly select a desired program from among numerous programs. When the viewer who uses the user server 14 wants to watch a desired program on which a certain entertainer appears and which concerns a certain item, the viewer selects a few content keywords KWs concerning these preferences for program retrieval from among a single element forming content of the broadcast programs BP which are broadcast. These content keywords KWs are transmitted to the data server 17 via a telephone line 20.

In response to a request from the viewer who uses the user server 14, the data server 17 uses the EPG data which is the broadcast program information BPI and a unique database 21 having keywords KKWs uniquely appended by the data server 17 and efficiently performs retrieval using retrieval software. The data server 17 selects programs which satisfy the preferences of the viewer who uses the user server 14. The retrieval result is sent to the viewer who uses the user server 14 as a reply through the telephone line 20 using the event IDs EIDs which are the program retrieval identification codes included in the EPG data.

002250"45722950

When a certain entertainer has changed his/her name in the past and now has a different name, the unique database 21 used by the data server 17 stores his/her record including the past record. It is thus possible to search, for example, all drama programs, including past drama programs, in which the entertainer appears. Compared with retrieval performed by the viewer who uses the user server 14, it is possible to perform accurate retrieval.

The reply to the viewer who uses the user server 14 does not include all data including the titles of programs and detailed descriptions of the programs. Instead, the reply only includes the event IDs EIDs (event_id) of the programs, which are the program retrieval identification codes. The viewer who uses the user server 14 can obtain information on a desired program from the data server 17 by receiving a small amount of data from the data server 17.

The viewer using the user server 14 who received the event IDs EIDs had already received the same broadcast programs BPs as those in the data server 17. The reply to the viewer included the event IDs EIDs as the retrieval result. The EPG data included in the broadcast programs BPs is displayed on the monitor, and the viewer uses the event IDs EIDs to select a program. Therefore, the user is permitted to know the desired program and the entire information on the program.

00260-4522950

Accordingly, the data server 17 quickly performs appropriate program retrieval by using the unique database 21 and a computer which has a fast computing speed and uses advanced algorithms. This provides special services which cannot be obtained by program retrieval by the viewer who uses the user server 14.

Although the present invention has been described hereinabove with reference to the preferred embodiment thereof in which broadcasting is performed by the digital satellite, it is to be understood that the invention is not limited to such embodiment alone, and a variety of modifications may be made as well. For example, broadcasting may be performed by terrestrial broadcast or by cable, such as by cable television (CATV).

00260" 45722960

WHAT IS CLAIMED IS:

1. A broadcast program retrieval apparatus comprising:
a data server having a database for storing broadcast program information and a function for searching the broadcast program information stored in the database; and
a user server for storing the same information as the broadcast program information stored in said data server, said user server having a function for selecting a desired broadcast program from the stored broadcast program information;

wherein said user server searches the broadcast program information stored in said data server using a content keyword, and selects the desired broadcast program from among broadcast programs based on program retrieval identification codes retrieved and extracted by the content keyword.

2. A broadcast program retrieval apparatus according to Claim 1, wherein said data server and said user server are connected via a communication link.

3. A broadcast program retrieval apparatus according to Claim 1, wherein the content keyword includes an element of content forming each broadcast program.

002260"4572950

4. A broadcast program retrieval apparatus according to Claim 1, wherein the program retrieval identification codes are included in an event identification region of an event information table appended to each broadcast program.

5. A broadcast program retrieval apparatus according to Claim 1, wherein said user server only receives the program retrieval identification codes extracted by said data server, and selects the desired broadcast program based on the received program retrieval identification codes.

6. A broadcast program retrieval apparatus according to Claim 1, wherein the broadcast program information includes electronic program guide (EPG) information.

004350"4576250

ABSTRACT OF THE DISCLOSURE

A broadcast program retrieval apparatus includes a data server having a database for storing broadcast program information. The data server has a function for searching the broadcast program information stored in the database. A user server stores the same information as the broadcast program information stored in the data server. The user server has a function for selecting a desired broadcast program from the stored broadcast program information. The user server searches the broadcast program information stored in the data server using a content keyword, such as the cast or the like. The desired broadcast program is selected from among broadcast programs based on program retrieval identification codes (event IDs) retrieved and extracted by the content keyword.

00250"4572550

FIG. 1

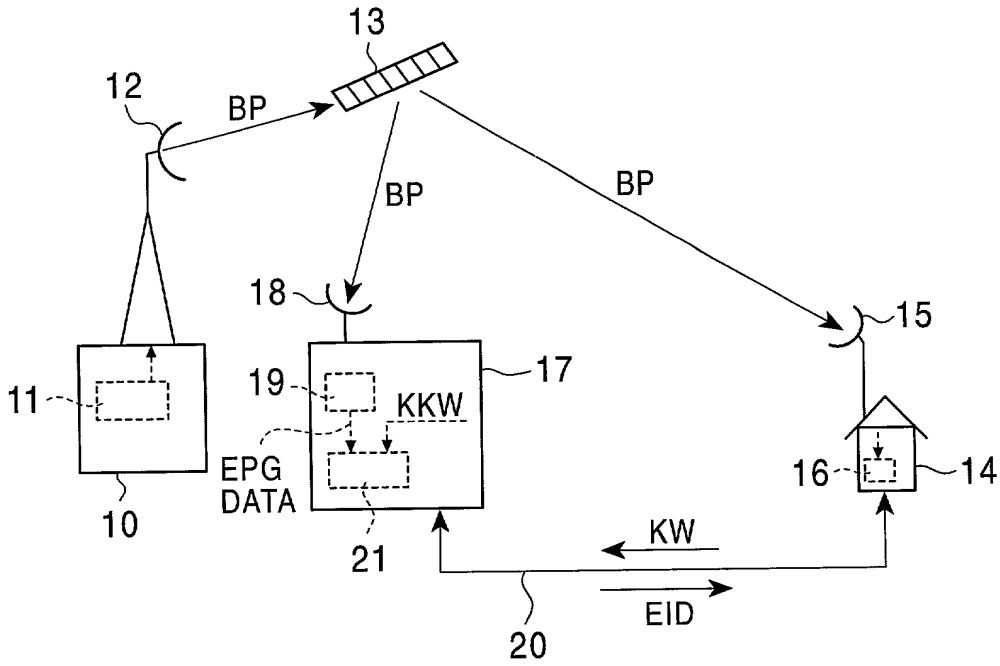


FIG. 2

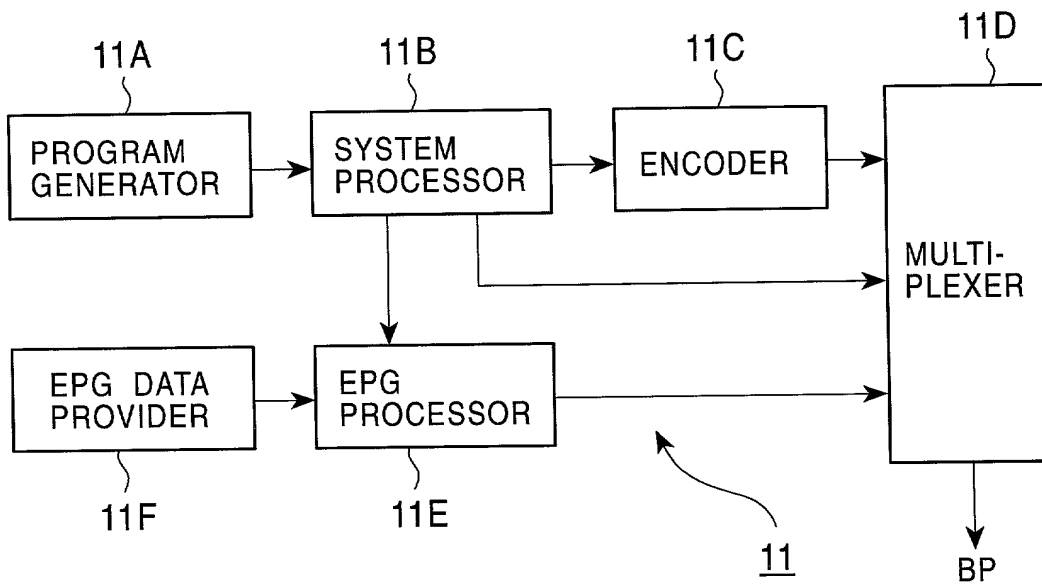


FIG. 3

Syntax	No. of Bits	Identifier
event_information_section(){		
table_id	8	uimsbf
section_syntax_indicator	1	bslbf
reserved_future_use	1	bslbf
reserved	2	bslbf
section_length	12	uimsbf
service_id	16	uimsbf
reserved	2	bslbf
version_number	5	uimsbf
current_next_indicator	1	bslbf
section_number	8	uimsbf
last_section_number	8	uimsbf
transport_stream_id	16	uimsbf
original_network_id	16	uimsbf
segment_last_section_number	8	uimsbf
last_table_id	8	uimsbf
for(i=0;i<N;i++){		
event_id ←----- (1)	16	uimsbf
start_time ←----- (2)	40	bslbf
duration ←----- (3)	24	uimsbf
running_status	3	uimsbf
free_CA_mode	1	bslbf
descriptors_loop_length	12	uimsbf
for(i=0;i<N;i++){		
descriptor() ←----- (4)		
}		
}		
CRC_32	32	rpchof
}		

DECLARATION FOR PATENT APPLICATION (JOINT OR SOLE)

(Under 37 CFR § 1.63; with Power of Attorney)

FROMMER LAWRENCE & HAUG LLP

FLH File No.: 450100-02733

As a below named inventor, I hereby declare that:

My residence, post office address and citizenship are as stated below next to my name,

I believe I am the original, first and sole inventor (if only one name is listed below) or an original, first and joint inventor (if plural names are listed below) of the subject matter which is claimed and for which a patent is sought on the invention ENTITLED:

BROADCAST PROGRAM RETRIEVAL APPARATUS

the specification of which

is attached hereto.

was filed on as Application Serial No.

with amendment(s) through (if applicable, give dates).

I hereby state that I have reviewed and understand the contents of the above-identified specification, including the claims, as amended by any amendment referred to above.

I acknowledge the duty to disclose to the United States Patent and Trademark Office all information known to me to be material to patentability as defined in Title 37, Code of Federal Regulations, Sec. 1.56.

I hereby claim foreign priority benefits under Title 35, United States Code, § 119 of any foreign application(s) for patent or inventor's certificate listed below and have also identified below any foreign application for patent or inventor's certificate having a filing date before that of the application on which priority is claimed:

Prior Foreign Application(s) (list additional applications on separate page): Priority Claimed:

Number: Country: Filed (Day/Month/Year): Yes No

P11-274322 Japan 28/09/1999 X

I hereby claim the benefit under Title 35, United States Code, § 120 of any United States application(s) listed below and, insofar as the subject matter of each of the claims of this application is not disclosed in the prior United States application in the manner provided by the first paragraph of Title 35, United States Code § 112, I acknowledge the duty to disclose to the United States Patent and Trademark Office all information known to me to be material to patentability as defined in Title 37, Code of Federal Regulations, Sec. 1.56, which became available between the filing date of the prior application and the national or PCT international filing date of this application:

Prior U.S. Application(s) (list additional applications on separate page):

Appln. Ser. Number: Filed (Day/Month/Year): Status (patented, pending, abandoned):

I hereby appoint WILLIAM S. FROMMER, Registration No. 25,506, or his duly appointed associate, my attorneys, with full power of substitution and revocation, to prosecute this application, to make alterations and amendments therein, to file continuation and divisional applications thereof, to receive the Patent, and to transact all business in the Patent and Trademark Office and in the Courts in connection therewith, and specify that all communications about the application are to be directed to the following correspondence address:

WILLIAM S. FROMMER, Esq.
c/o FROMMER LAWRENCE & HAUG LLP
745 Fifth Avenue
New York, New York 10151

Direct all telephone calls to:
(212) 588-0800
to the attention of:
WILLIAM S. FROMMER

I hereby declare that all statements made herein of my own knowledge are true and that all statements made on information and belief are believed to be true; and further that these statements were made with the knowledge that willful false statements and the like so made are punishable by fine or imprisonment, or both, under Section 1001 of Title 18 of the United States Code and that such willful false statements may jeopardize the validity of the application or any patent issued thereon.

INVENTOR(S):
Signature: [Signature] Date: Aug. 31 / 2000
Full name of sole or first inventor: MASAHIKO SATO
Residence: TOKYO, JAPAN
Citizenship: JAPANESE

Signature:
Full name of 2nd joint inventor (if any):
Residence:
Citizenship:

Signature:
Full name of 3rd joint inventor (if any):
Residence:
Citizenship:

[Similarly list additional inventors on separate page]

Post Office Address(es) of inventor(s):

[if all inventors have the same post office address]

Sony Corporation
7-35 Kitashinagawa 6-chome
Shinagawa-Ku, Tokyo, Japan

Note: In order to qualify for reduced fees available to Small Entities, each inventor and any other individual or entity having rights to the invention must also sign an appropriate separate "Verified Statement (Declaration) Claiming for Supporting a Claim by Another for Small Entity Status" form [e.g. for Independent Inventor, Small Business Concern, Nonprofit Organization, individual Non-Inventor].

Note: A post office address must be provided for each inventor.